

## 316 Stainless Steel Handrail Round



### Base

High quality 316 Stainless Steel Handrail Round Base is offered by China manufacturer POWER MARINE. Buy 316 Stainless Steel Handrail Round Base which is of high quality directly with low price. We have been specialized in marine

hardware for more than 25 years. Our product is made of 316 stainless steel, which has good corrosion resistance. We can provide high quality products and competitive prices, and we look forward to becoming your long-term partner in China. Welcome to contact us.

## 316 Stainless Steel Handrail Round Base

### Product Introduction

As a professional high quality 316 Stainless Steel Handrail Round Base manufacturer, you can rest assured to buy 316 Stainless Steel Handrail Round Base from POWER MARINE and we will offer you the best after-sale service and timely delivery. We follow the quality of rest assured that the price of conscience, dedicated service. 316 Stainless Steel Handrail Round Base has a longer service life in seawater, ultraviolet light and humid environments. We can provide high quality products and competitive prices, and we look forward to becoming your long-term partner in China. Welcome to contact us.

### Product Parameter (Specification)

Product name	316 Stainless Steel Handrail Round Base
Specification available	Multiple sizes
Standards that follow to	ISO 9001, CE, TUV, CSS, SGS.

### Shandong Power Industry and Trade Co., Ltd.

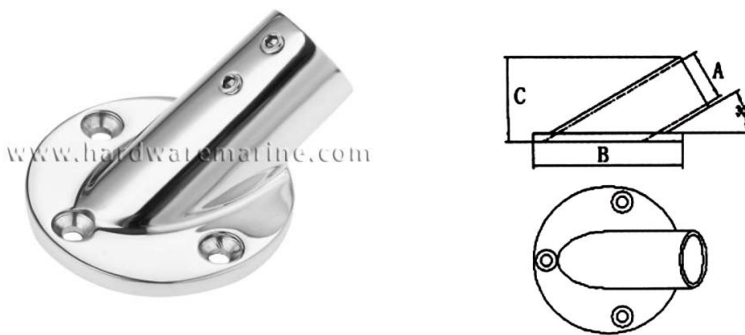
**Address:** Chengyang District, Qingdao, Shandong Province, China

**Tel:** [+86-15865772126](tel:+86-15865772126)

[+86-0532-83875707](tel:+86-0532-83875707)

**E-mail:** [andy@hardwaremarine.com](mailto:andy@hardwaremarine.com)

Samples available	Yes.
Packing method	Bubble bag+Wooden carton
Production lead time	10-15 days for a 20ft container, 20-25 days for a 40ft container.
Warranty time	Support returns and exchanges
Payment term	T/T
FOB loading port	Qingdao China



Code	A mm	B mm	C mm	Size
PM5413-3022	22.5	66.3	37.8	7/8"
PM5413-3025	25.6	72.2	36.7	1"

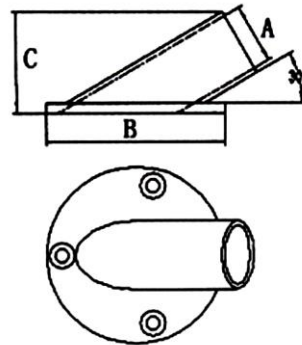
**Shandong Power Industry and Trade Co., Ltd.**

Address: Chengyang District, Qingdao, Shandong Province, China

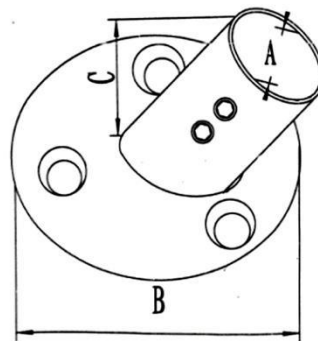
Tel: [+86-15865772126](tel:+86-15865772126)

[+86-0532-83875707](tel:+86-0532-83875707)

E-mail: [andy@hardwaremarine.com](mailto:andy@hardwaremarine.com)



Code	A mm	B mm	C mm	Size
PM5414-4522	22.5	66.3	37.8	7/8"
PM5414-4525	25.6	72.2	36.7	1"



Code	A mm	B mm	C mm	Size
PM5415-6022	22.5	66.3	41.1	7/8"
PM5415-6025	25.5	72.2	40	1"
PM5415-6030	30.5	71.5	46	1-1/5"
PM5415-6032	32.5	71.5	46	1-14"

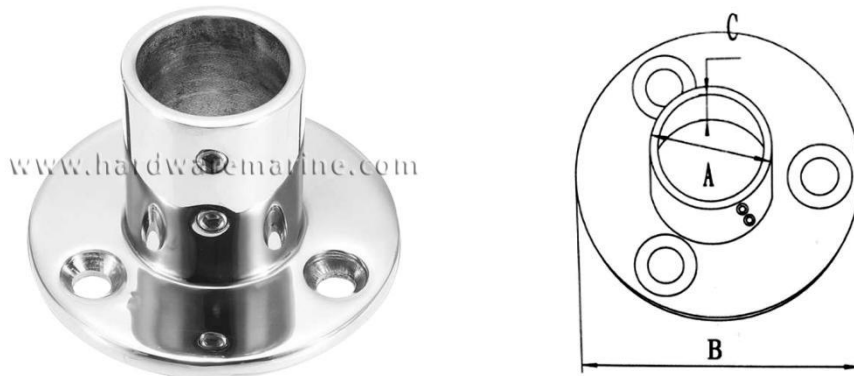
**Shandong Power Industry and Trade Co., Ltd.**

Address: Chengyang District, Qingdao, Shandong Province, China

Tel: +86-15865772126

+86-0532-83875707

E-mail: [andy@hardwaremarine.com](mailto:andy@hardwaremarine.com)



Code	A mm	B mm	C mm	Size
PM5416-9022	22.5	66	44.7	7/8"
PM5416-9025	25.5	69	44.7	1"
PM5416-9030	30.5	72	43.2	1-1/5"
PM5416-9032	32.5	75	43.2	1-1/4"

### Product Feature And Application

A 316 stainless steel handrail round base is a component used in the construction of handrail systems. It is typically made from 316 stainless steel, which is a high-quality and corrosion-resistant grade of stainless steel. The round base serves as the foundation for the handrail, providing stability and support. It is typically attached to the ground or mounting surface using screws or other fasteners. The handrail then connects to the 316 Stainless Steel Handrail Round Base, creating a durable and secure handrail system. Originally, 316 stainless steel was developed as a more corrosion-resistant alternative to the widely used 304 stainless steel. The addition of molybdenum to the alloy composition of 316 stainless steel significantly improves its resistance to pitting and crevice corrosion in chloride environments compared to 304 stainless steel, making it ideal for outdoor applications and coastal areas. As the construction industry began to recognize the benefits of stainless steel, designers and engineers began incorporating it into handrail systems. The 316 Stainless Steel Handrail Round Base is particularly popular as it

### Shandong Power Industry and Trade Co., Ltd.

**Address:** Chengyang District, Qingdao, Shandong Province, China

**Tel:** +86-15865772126

+86-0532-83875707

**E-mail:** [andy@hardwaremarine.com](mailto:andy@hardwaremarine.com)

---

provides a stable and aesthetically pleasing base for the armrest. 316 stainless steel has become popular for use in handrail round bases due to its superior corrosion resistance, strength and durability. This is especially important for handrails that are exposed to harsh environments, such as those in coastal areas or industrial settings. Overall, a 316 stainless steel handrail round base is a reliable and long-lasting component that is commonly used in handrail systems to provide support and stability.

## Product Details

Some of the key features of 316 stainless steel handrail round base include:

**Corrosion Resistance:** The use of 316 stainless steel ensures excellent corrosion resistance, especially in chloride environments such as coastal areas or places exposed to chemicals. This makes it a reliable choice for outdoor and high-humidity applications.

**High strength:** 316 stainless steel has high tensile strength and can withstand heavy loads and impacts, ensuring the stability and durability of the handrail system.

**Aesthetic appeal:** The 316 Stainless Steel Handrail Round Base design provides a sleek, modern look that complements a variety of architectural styles. The smooth surface of stainless steel adds a touch of elegance to the armrest system.

**EASY TO INSTALL:** The round base design mounts easily to a variety of surfaces, including concrete, wood, or metal. It usually comes with pre-drilled mounting holes, making the installation process easier.

**Versatility:** 316 Stainless Steel Handrail Round Base can be used in both indoor and outdoor applications, including residential, commercial and industrial settings. It is commonly used on stairs, balconies, decks and ramps.

**Low Maintenance:** Stainless steel is known for its low maintenance properties. The 316 stainless steel round base requires minimal maintenance with occasional cleaning and inspection to maintain its appearance and integrity.

**Long service life:** Due to its corrosion resistance and durability, the 316

## Shandong Power Industry and Trade Co., Ltd.

**Address:** Chengyang District, Qingdao, Shandong Province, China

**Tel:** [+86-15865772126](tel:+86-15865772126)

[+86-0532-83875707](tel:+86-0532-83875707)

**E-mail:** [andy@hardwaremarine.com](mailto:andy@hardwaremarine.com)

stainless steel handrail round base has a long service life, reducing the need for frequent replacement and repairs.

Overall, the 316 Stainless Steel Handrail Round Base combines functionality, durability, and beauty, making it an excellent choice for a variety of handrail applications.

### **Loading & Shipment**

Thanks to superior quality, we have been establishing a close & long business partner relationship with the customers from more than 30 countries, and we've gotten so many positive feedback regarding the quality.



### **Shandong Power Industry and Trade Co., Ltd.**

**Address:** Chengyang District, Qingdao, Shandong Province, China

**Tel:** [+86-15865772126](tel:+86-15865772126)

[+86-0532-83875707](tel:+86-0532-83875707)

**E-mail:** [andy@hardwaremarine.com](mailto:andy@hardwaremarine.com)

**Contact us**

Contact us freely for any inquiries on our products by following:

Email: [andy@hardwaremarine.com](mailto:andy@hardwaremarine.com)

Mob: +86-15865772126

**24 hours on line contact:**

WhatsApp / wechat: +86-15865772126

**If you have any questions can contact us**

**Shandong Power Industry and Trade Co., Ltd.**

**Address:** Chengyang District, Qingdao, Shandong Province, China

**Tel:** [+86-15865772126](tel:+86-15865772126)

[+86-0532-83875707](tel:+86-0532-83875707)

**E-mail:** [andy@hardwaremarine.com](mailto:andy@hardwaremarine.com)